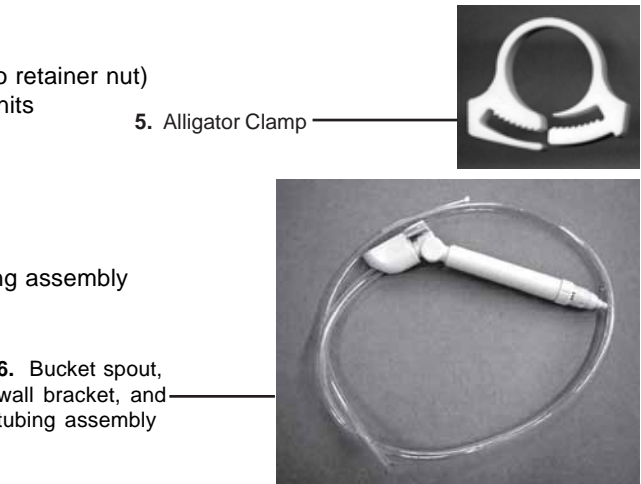
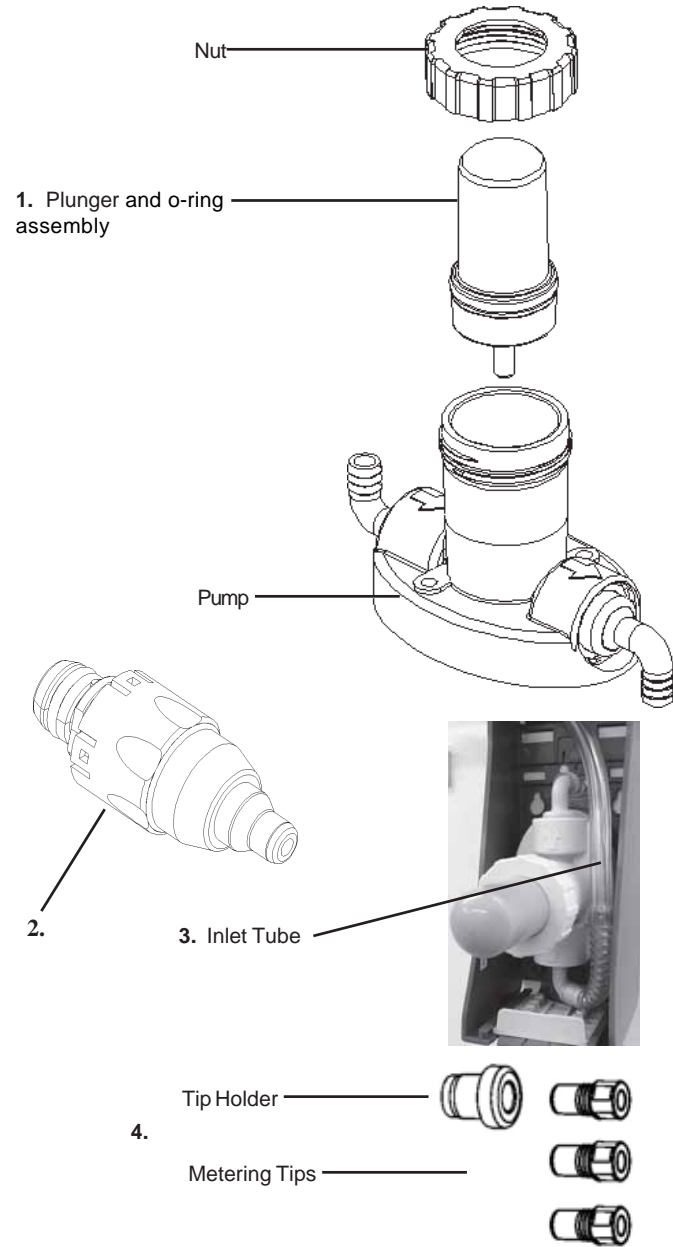
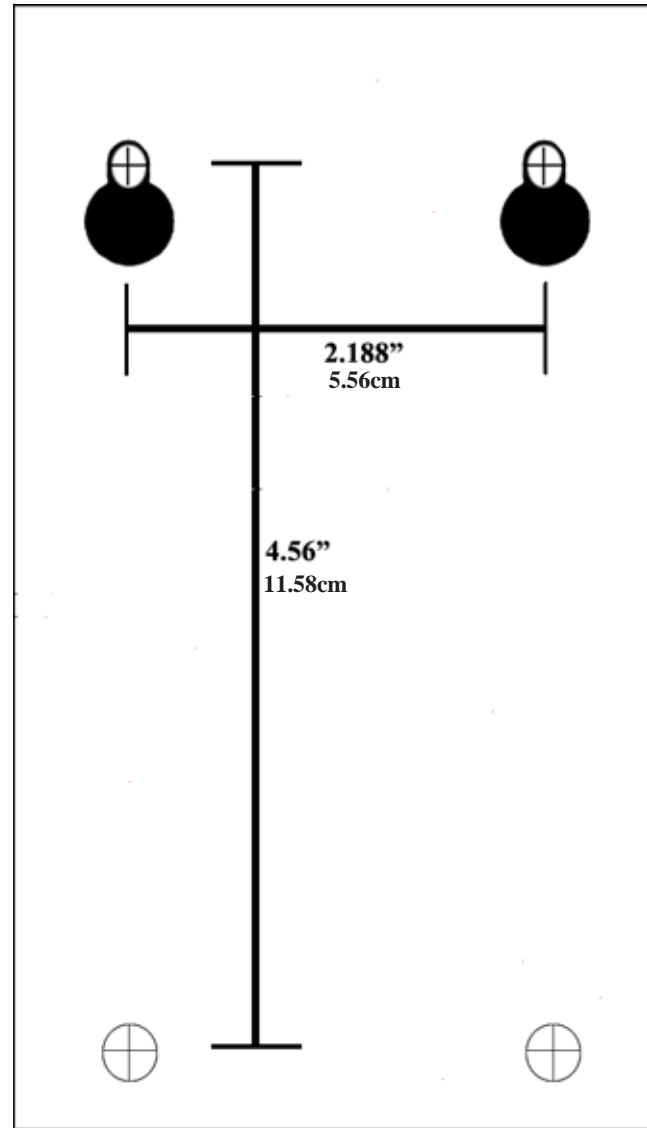


Mounting Template

When not using mounting bracket



6. Bucket spout, wall bracket, and tubing assembly

Parts Diagram/List:

KEY NO.	PART NO.	DESCRIPTION
1	10091056	Grey plunger and o-ring assembly (no retainer nut)
2	10091086	EP check valve for bottle and sink units
	10091085	EP check valve for bucket unit
	10091088	Viton check valve for bucket unit
3	90081224	Inlet tube
4	10091038	MultiDose Metering tip kit
5	90081288	Alligator clamp
6	10091032	Bucket spout, wall bracket, and tubing assembly



A DOVER COMPANY

3798 Round Bottom Road, Cincinnati, OH 45244 U.S.A. • Phone: (513) 271-8800 • Fax: (513) 271-0160 • www.hydrosystemsco.com

10091095
2/05

Hydro® MultiDose

Package Should Contain:

1. MultiDose unit
2. Pickup tube(s)
3. Alligator clamp (bottle or sink units only)
4. Instruction sheet
5. Mounting hardware
6. Metering Tips for delay feature (bottle or sink units only)
7. Bucket spout assembly (bucket unit only)

The MultiDose is a unique hand pump designed to deliver accurate doses of concentrated chemicals into sinks, bottles, buckets, and other containers. The built-in site window allows you to see when the bottle is empty, and the slanted bottom ensures chemical drains to the lowest point, thereby reducing waste. The optional chemical enclosure holds up to a 2.5 liter bottle, with a locking cover to prevent theft or tampering. Alternatively, chemicals can be mounted in traditional rack storage, if desired.

THANK YOU FOR YOUR INTEREST IN OUR PRODUCTS

Please use this equipment carefully and observe all warnings and cautions.

*****NOTE*****

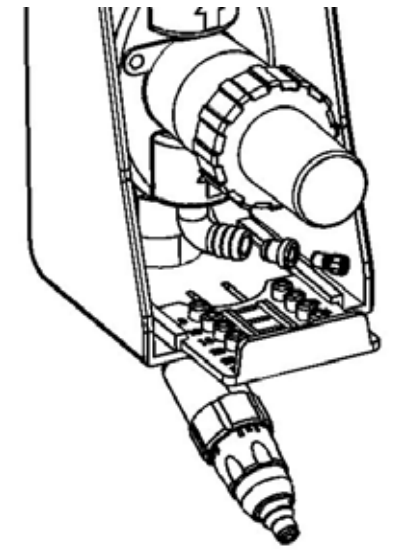
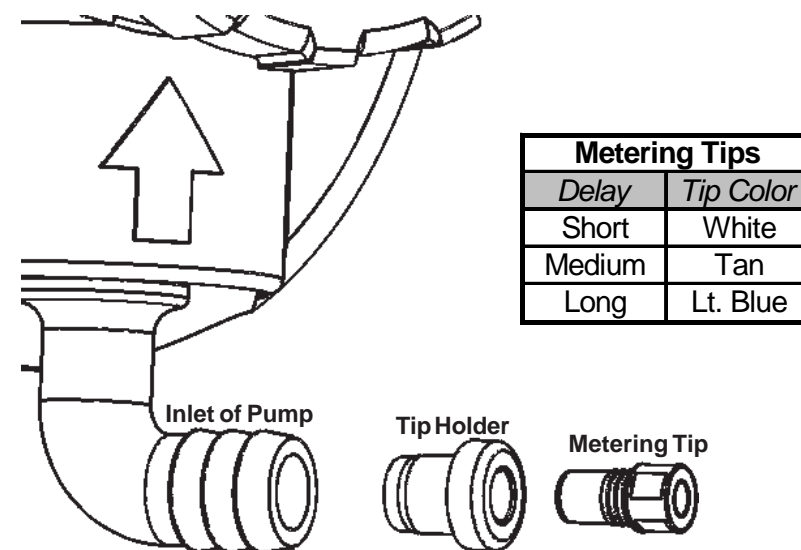
WEAR	protective clothing and eyewear when dispensing chemicals or other materials or when working in the vicinity of all chemicals, filling or emptying equipment or changing metering tips..
ALWAYS	observe safety and handling instructions of the chemical manufacturers. direct discharge away from you or other persons or into approved containers. dispense cleaners and chemicals in accordance with manufacturer's instructions. Exercise CAUTION when maintaining your equipment. re-assemble equipment according to instruction procedures. Be sure all components are firmly screwed or latched into position.
KEEP	equipment clean to maintain proper operation.

! Each unit is tested to ensure quality and may contain water. Depressing plunger of unit may result in discharge of water in the system.

Installation & Operation:

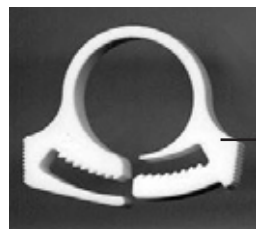
I. Connections:

1. If using optional delay feature (on bottle or sink units only), install tip-holder and metering tip into inlet of pump. Choose metering tip based on delay desired. Refer to images and chart below.



Connections Cont.:

2. A. For bottle and sink units: Attach inlet tube to inlet of pump and secure with provided alligator clamp. Refer to image on right. *Delay is not an option for Bucket Units. Tubing is pre-installed.*



Alligator Clamp

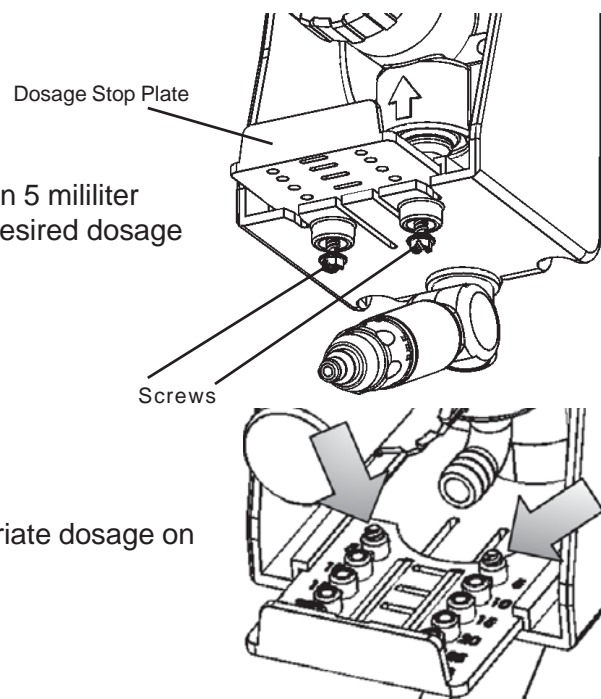


For Bucket use only

B. For bucket unit: Determine desired unit and spout placement on wall and cut bucket spout tubing if necessary. Remove red cap from fitting and attach bucket spout tubing. Secure tubing with provided wire tie.

II. Dosage Settings:

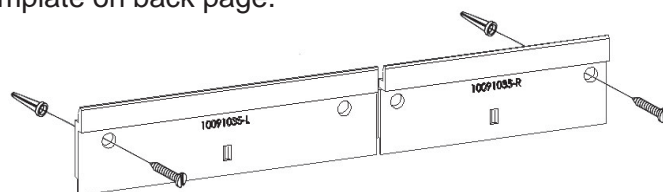
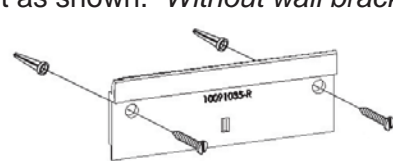
1. This unit is capable of dispensing between 5 and 30 milliliters in 5 milliliter increments. To set dosage, adjust the dosage stop plate to the desired dosage and tighten two screws below as shown on the right.



A. Dosage may be verified by visible screw thread next to appropriate dosage on dosage stop plate. Image on right shown at 5mm setting.

III. Mounting Instructions:

1. Attach unit to wall in one of two methods: with or without the wall bracket. *With wall bracket:* If mounting the pump alone, break the bracket and use right half only as shown. If using the optional bottle enclosure, mount the entire bracket as shown. *Without wall bracket:* Refer to template on back page.

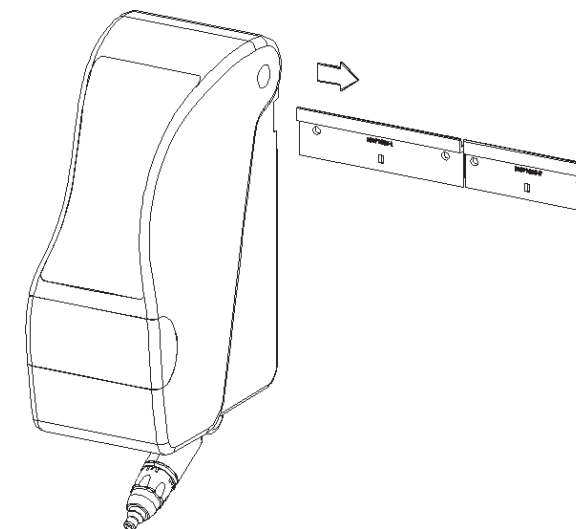


Mounting Instructions Cont.:

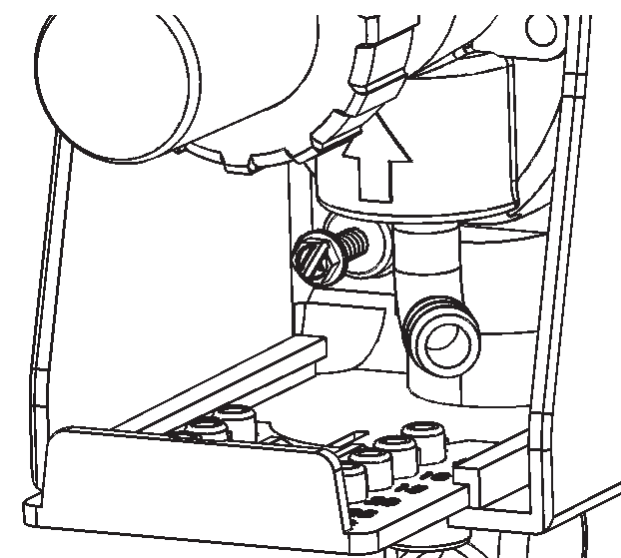
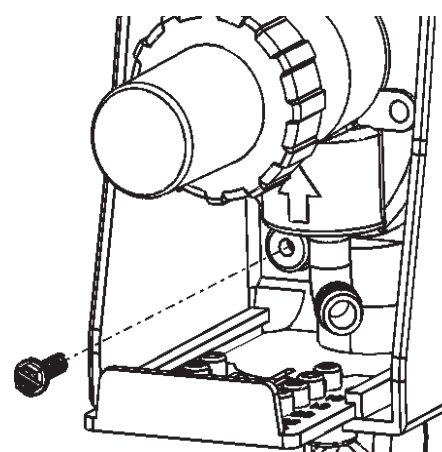
A. Ensure there is at least 4.5 inches (11.4 cm) clearance on either side of the bracket to slide the unit onto bracket as shown.



Shown with optional bottle enclosure



2. Tighten lower left screw to secure unit to wall.



3. Connect chemical supply to opposite end of inlet tube.

IV. Priming Unit:

1. Raise cover completely until it snaps into stationary position, exposing pump. Depress plunger rapidly and continuously several times until all air is purged from line. It will be necessary to depress plunger multiple times to prime unit.

When optional delay feature is used on bottle or sink units, unit may require additional plunges to fully prime unit. Bucket units will also require additional plunging to fully prime unit. Ensure no air is visible in line before proceeding.

