



# SinkMaster Model 883

### Package Contains:

- 1. Proportioner unit.
- 2. Suction tubing: 1/4" x 14'.
- 3. Foot valves and weights.
- 4. Discharge tubes.
- 5. Metering tip kit.
- 6. Mounting anchor kit.

## THANK YOU FOR YOUR INTEREST IN OUR PRODUCTS

Hydro Systems manufactures quality chemical proportioning equipment. Please use this equipment carefully and observe all warnings and cautions.

\*\*\*\*\* NOTE \*\*\*\*\*

<b>WEAR</b>	protective clothing and eyewear when dispensing chemicals or other materials.
<b>ALWAYS</b>	observe safety and handling instructions of the chemical manufacturers.
<b>ALWAYS</b>	direct discharge away from you or other persons or into approved containers.
<b>ALWAYS</b>	dispense cleaners and chemicals in accordance with manufacturer's instructions. Exercise <b>CAUTION</b> when maintaining your equipment.
<b>KEEP</b>	equipment clean to maintain proper operation.
<b>WEAR</b>	protective clothing and eyewear when working in the vicinity of all chemicals, filling or emptying equipment or changing metering tips.
<b>ALWAYS</b>	re-assemble equipment according to instruction procedures. Be sure all components are firmly screwed or latched into position.
<b>ATTACH</b>	only to tap water outlets (85 PSI maximum).

### Installation and Operation:

1. Hold unit up to wall and drill holes for the wall anchors with a 9/32" drill. Install mounting anchors, and then install screws into top two anchors. Slide key holes at top of dispenser over screw heads. Install bottom two screws through holes in cabinet. Tighten all screws. Do not mount more than 6 ft. (1.8 m) above bottom of concentrate container, nor below the highest concentrate level (never mount your concentrate higher than the dispenser). Turn ball valves so they are in a horizontal position (pointing left and right).
2. Select metering tips (see next section) and insert a tip into each hose barb on the eductor bodies.
3. Suction tubes should reach from hose barbs on eductors to bottoms of concentrate containers. Cut tube supplied to lengths required. (There is enough tube for 7 feet of tube per eductor.) Slide a weight over one end of each suction tube and slide a foot valve into the same ends of the tubes.
4. Slip open ends of suction tubes over the hose barbs/metering tips on the eductors (one at each side).
5. Install the short, whitish inner discharge tube onto the outlet of the eductor. It goes over the smaller barbed part which protrudes from the bottom of the eductor. This tube must be in place for the eductor to function. Do not cut the inner discharge tube to a shorter length, as this will prevent it from functioning correctly. The inner discharge tube has a yellow flooding ring inside it. Do not remove the flooding rings from inside the tubes. Install the end of the tube nearest the flooding ring on the eductor's protruding barb, ensuring the ring clamp is positioned above the barb. For easier installation, rock the tube back and forth while pushing over the barb.
6. Install outer discharge tubes over inner discharge tubes. Put the ends of the tubes into the appropriate sink compartments.
7. Place foot valve ends of supply tubes into concentrate containers. REMEMBER TO CHECK FOOT VALVE STRAINER PERIODICALLY FOR CLOGGING: CLEAN IF NECESSARY.
8. Connect water supply hose of at least 1/2" ID to water inlet swivel. (Minimum 25 PSI pressure, with water running, is required for proper operation.) Connect other end of hose to water supply. Turn water supply on.
9. Purge air from the system by opening the ball valves briefly. (Ball valves will be in vertical position -- pointing up and down -- when open.) There may be some water discharge from the eductor vents until the air is purged.
10. Open one ball valve to start flow of desired water/concentrate solution, and run unit until supply tube is primed (filled). Repeat priming operation for other ball valve. Then, open ball valves when dispensing is desired. Close ball valves to stop flow of solution.
11. **It is essential that the discharge hose not be obstructed. If discharge is restricted, water will flow out the eductor vents.**

### Metering Tip Selection:

The final concentration of the dispensed liquid is related to both the size of the metering tip opening and the viscosity of the liquid being siphoned. If product viscosity is noticeably greater than that of water, consult the procedure for Measurement of Concentration on the next page to achieve your desired water-to-product ratio. For water-thin products, use the chart on the next page as a **guideline**. Because such factors as inlet water pressure and temperature can affect dilution ratios, the figures listed on the chart are only approximate. Test the actual dilution you are achieving using the Measurement of Concentration procedure for best results. Use the undrilled, clear tip for drilling a size not listed.



---

**Hydro Systems**

3798 Round Bottom Road, Cincinnati, OH 45244 U.S.A. • Phone: (513) 271-8800 • Fax: (513) 271-0160 • [www.hydrosystemsco.com](http://www.hydrosystemsco.com)

**10080340 Rev. B**

**3/05**

**Measurement of Concentration:**

You can determine the dispensed water-to-product ratio for any metering tip size and product viscosity. All that is required is to operate the primed dispenser for a minute or so and note two things: the amount of dispensed solution, and the amount of concentrate used in preparation of the solution dispensed. The water-to-product ratio is then calculated as follows:

Dilution Ratio (X:1) where

$$X = \frac{\text{Amount of Mixed Solution} - \text{Amount of Concentrate Drawn}}{\text{Amount of Concentrate Drawn}}$$

Dilution Ratio, then, equals X parts water to one part concentrate (X:1). If the test does not yield the desired ratio, choose a different tip and repeat the test. Alternative methods to this test are 1) pH (using litmus paper), and 2) titration. Contact your concentrate supplier for further information on these alternative methods and the materials required to perform them.

**APPROXIMATE DILUTIONS AT 40 PSI FOR WATER-THIN PRODUCTS (1.0 CP)**

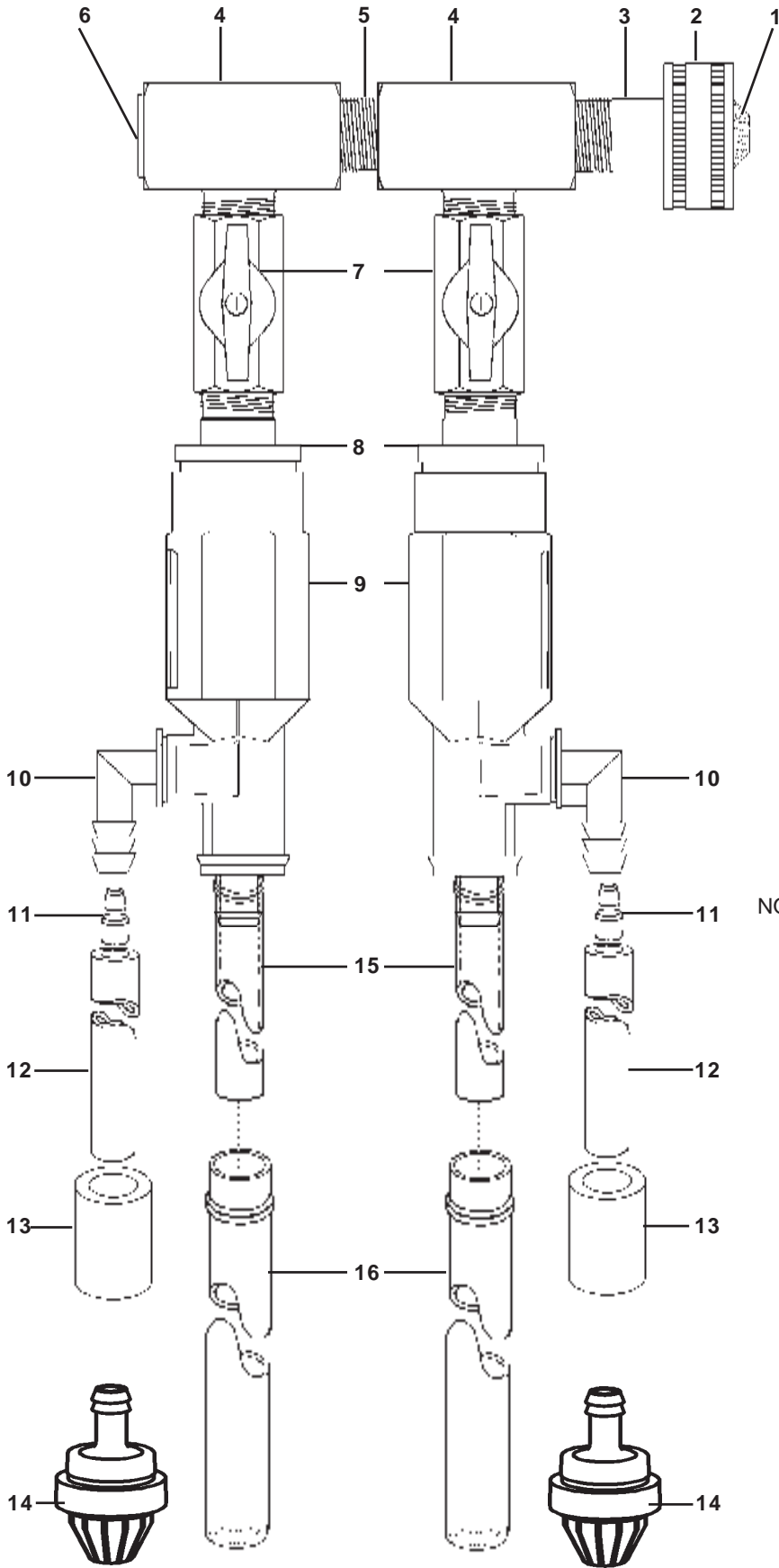
Tip Color	Orifice Size	(Std. Drill Number)	Ratio
No Tip	.187	(3/16)	3.5:1
Gray	.128	(30)	4:1
Black	.098	(40)	4:1
Beige	.070	(50)	8:1
Red	.052	(55)	14:1
White	.043	(57)	20:1
Blue	.040	(60)	24:1
Tan	.035	(65)	30:1
Green	.028	(70)	45:1
Orange	.025	(72)	56:1
Brown	.023	(74)	64:1
Yellow	.020	(76)	90:1
Aqua	.018	(77)	128:1
Purple	.014	(79)	180:1
Pink	.010	(87)	350:1
Lt. Purple	.009	(89)	460:1

**TROUBLESHOOTING CHART:**

Problem	Cause	Solution
1. No discharge	a. No water	a. Turn on water supply
2. No concentrate draw	a. Clogged foot valve b. Metering tip or eductor has scale build-up c. Low water pressure d. Discharge tube and/or flooding ring not in place e. Concentrate container empty f. Inlet hose barb not screwed into eductor tightly	a. Clean or replace b. Clean (descale) or replace c. Minimum 25 PSI (with water running) required to operate unit properly d. Push tube firmly onto eductor discharge hose barb, or replace tube if it doesn't have a flooding ring e. Replace with full container f. Tighten, but do not overtighten
3. Excess concentrate draw	a. Metering tip not in place	a. Press correct tip firmly into barb on eductor

**NOTE:** In hard water areas, scale may form inside the discharge end of the eductor, as well as in other areas of the unit that are exposed to water. This scale may be removed by soaking the eductor in a descaling solution (deliming solution). To remove an eductor located in the cabinet, unthread it. Alternatively, a scaled eductor can be cleaned (or kept from scaling) by drawing the descaling solution through the unit. Operate the unit with the suction tube in the descaling solution. Operate the unit until solution is drawn consistently, then flush the unit by drawing clear water through it for a minute. Replace concentrate container and put suction tube into concentrate.

# SinkMaster Parts Diagram/List



Key	Part No.	Description
1	238100	Strainer washer
2	506502	Swivel nut
3	276800	Swivel stem
4	133000	Branch tee
5	10027700	3/8" nipple
6	10075925	Pipe plug
7	10080320	Ball valve
8	10064652	3/8" x MGH fitting, sealed
9	161	Eductor retrofit kit (includes eductor, inner discharge tube and outer discharge tube)
10	10077500	90° Angle hose barb
11	10027209	Metering tip (kit)
12	500814	Tubing, 1/4" x 14'
13	509900	Weight
14	10089410	Foot valve, Viton
15	10070470	Inner discharge tube
16	10077310	Outer discharge tube

NOT SHOWN:  
10080301 Bracket/cover