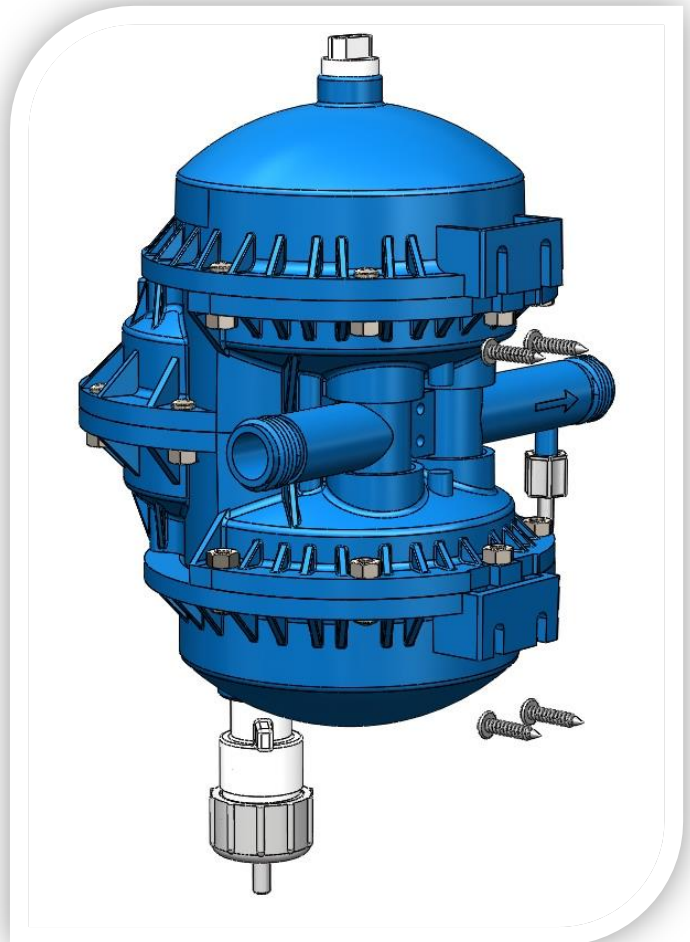
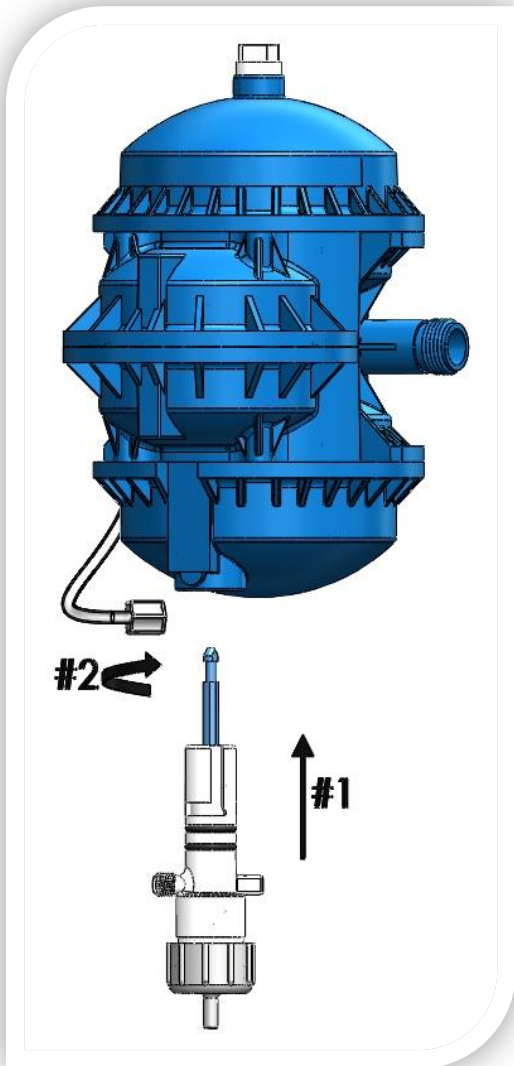
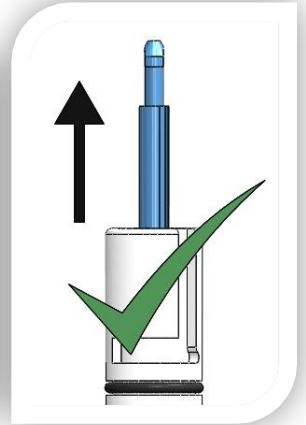
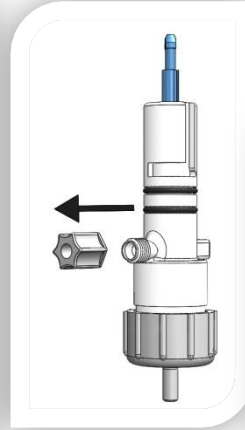
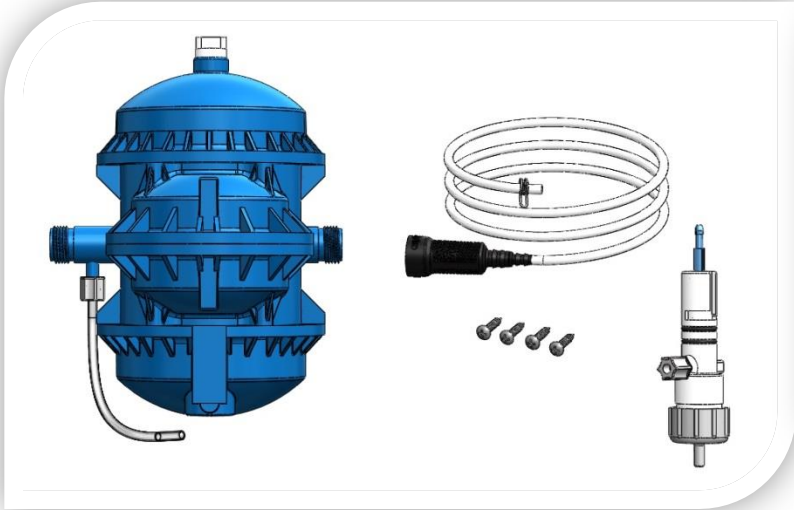


Chemilizer Fixed Quick Start Guide

0.02 – 11 gpm 3 – 85 psi

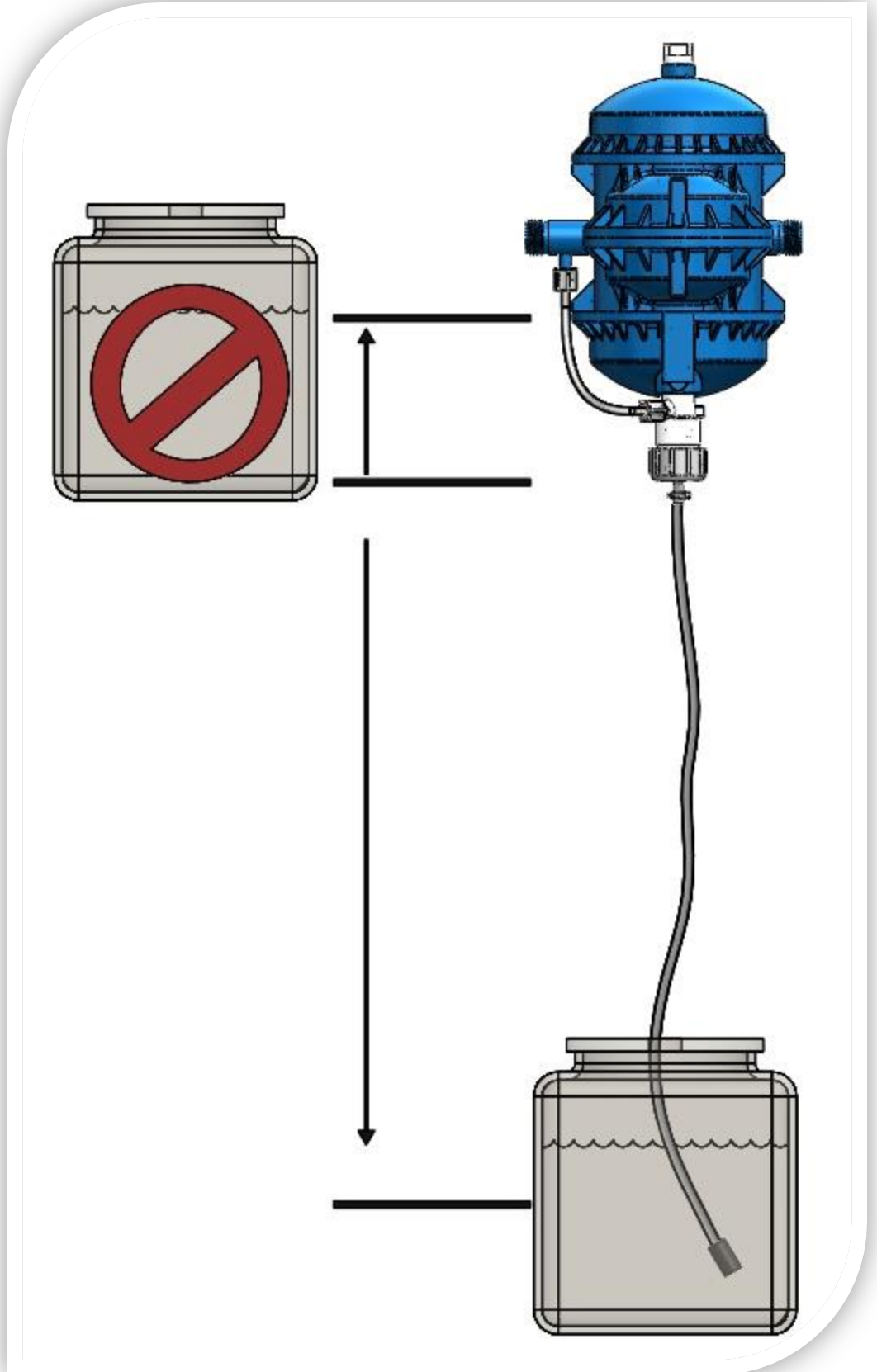
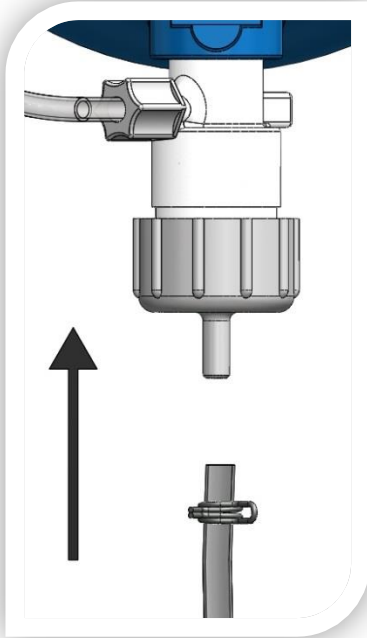
5 – 2500 l/h 0,2 – 5,8 bar



Chemilizer Fixed Quick Start Guide

0.02 – 11 gpm 3 – 85 psi

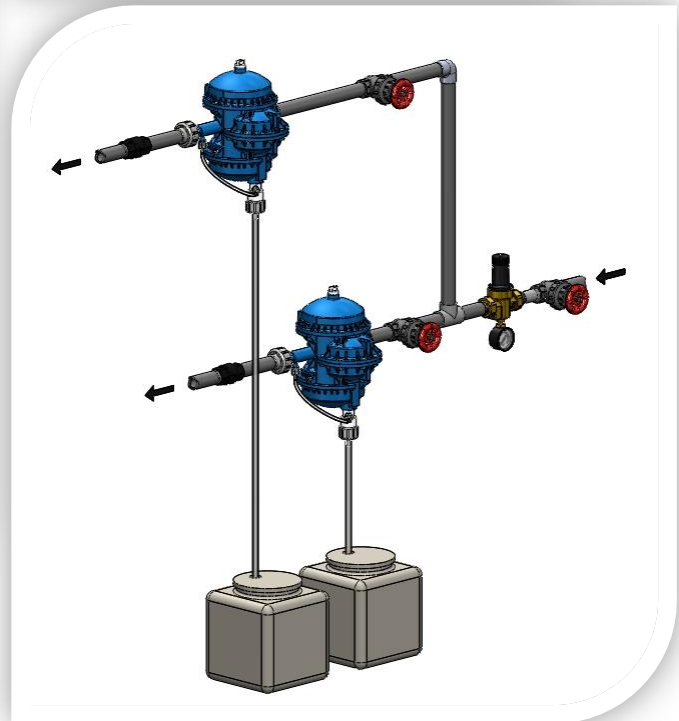
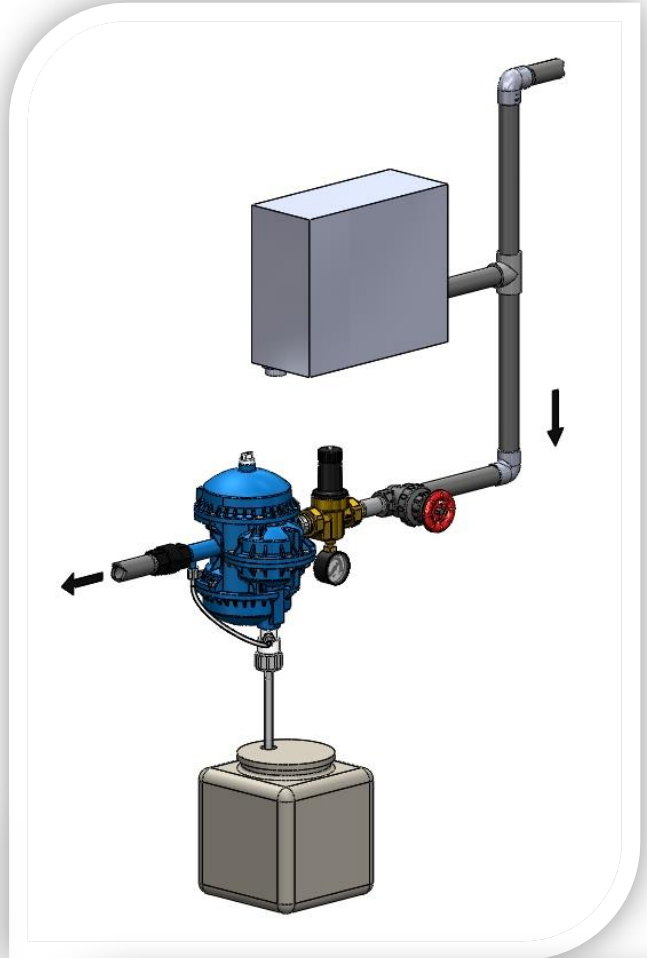
5 – 2500 l/h 0,2 – 5,8 bar



Chemilizer Fixed Quick Start Guide

0.02 – 11 gpm 3 – 85 psi

5 – 2500 l/h 0,2 – 5,8 bar





Chemilizer Fixed Quick Start Guide

0.02 – 11 gpm 3 – 85 psi

5 – 2500 l/h 0,2 – 5,8 bar

World Headquarters
Hydro Systems Company
3798 Round Bottom Road
Cincinnati
OH 45244
U.S.A.
T 513-271-8800
F 513-271-0160

www.hydro-systems.com

Hydro Systems Europe
Unit 3, The Sterling Centre
Eastern Road
Bracknell, Berkshire
RG12 2PW
England
T +44 (0)1344 488880
F +44 (0)1344 488879

www.hydro-system-europe.com

Hydro Systems Europe
13bis avenue Descartes
C33370 Artigues-pres-
Bordeaux
France
T +33 557 97 13 13
F +33 577 97 10 19

Hydro Systems South
America
Rua Mogiana, 172
Chácaras Reunidas
São José Dos Campos
12238-420SP
Brasil
T +55 12 3201 7707

www.hydro-novabrazil.com

Hydro Systems Asia
Pacific
Unit A, 1 Kellham Place
Glendenning
NSW 2761
Australia
T +612 9625 8122
F +612 9625 8177

Hydro Systems Asia Pacific
Unit 01, 18th Floor,
Lujiazui Fund Tower,
1528 Century Avenue,
Pudong New Area,
Shanghai 200122 P.R. China
T +86 21 400-600-4026

Dover Southeast Asia
(Thailand) 762/2, A
Building,
Room A540, Rama 3
Road,
Bang Pong Pang,
Yannawa,
Bangkok 10120, Thailand
T +66 2 295 2788
F +66 2 295 2785