

Safety Precautions



WARNING! Please read precautions thoroughly before operation. Meet all applicable local codes and regulations.

THANK YOU FOR YOUR INTEREST IN OUR PRODUCTS

Please use this equipment carefully and observe all warnings and cautions.

WEAR

protective clothing and eyewear when dispensing chemicals or other materials or when working in the vicinity of all chemicals, filling or emptying equipment, or changing metering tips.

observe safety and handling instructions of the chemical manufacturer.

direct discharge away from you or other persons or into approved containers.

ALWAYS

dispense cleaners and chemicals in accordance with manufacturer's instructions. Exercise CAUTION when maintaining your equipment.

reassemble equipment according to instruction procedures. Be sure all components are firmly screwed or latched into position.

KEEP

equipment clean to maintain proper operation.

ATTACH

only to water tap outlets (2.8 Bar Minimum, 5.8 Bar Maximum and Maximum water temperature 49° C).

NOTE

if the unit is used to fill a sink, or the discharge hose can be placed into a sink, the unit must mounted be so the bottom of the cabinet is above the overflow rim of the sink.

introduction

RiteDose



HYD-RDO-SBB

RiteDose Bottle-Fill,
Blue Button, BSPP
Thread, (10 Pack)



HYD-RDO-BBB

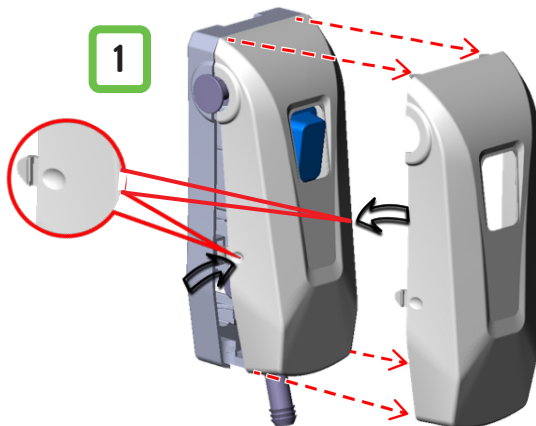
RiteDose Bucket-Fill,
Blue Button, BSPP
Thread, (10 Pack)



← 1.2 meter



installation



1



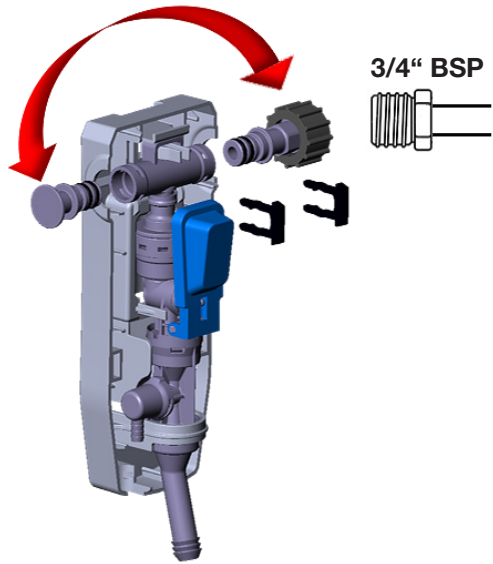
2



installation (continued)



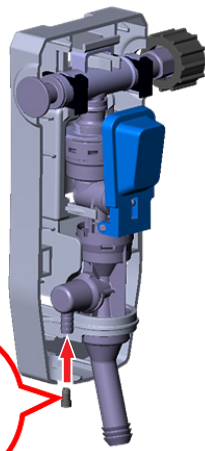
1



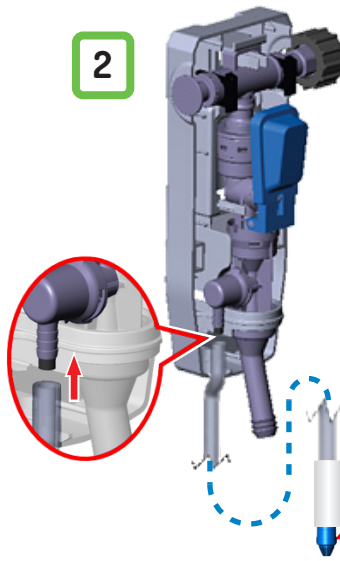
3/4" BSP



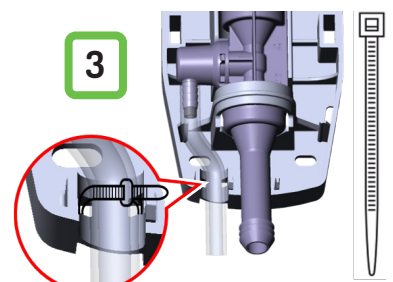
1



2



3

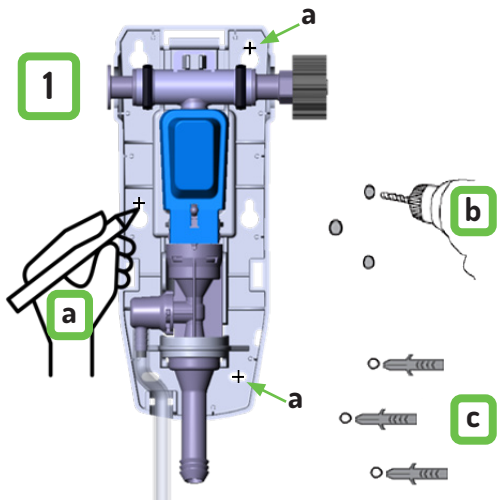


Dilution Table
Water @ 2.75 bar
Product = 1.0 cP

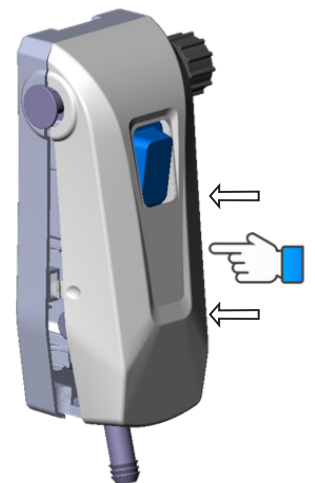
Tip #	Tip Color	Ratio
# 70	Beige	8:1
# 40	Blue	16:1
# 28	Green	32:1
# 20	Yellow	64:1
# 14	Purple	128:1



1



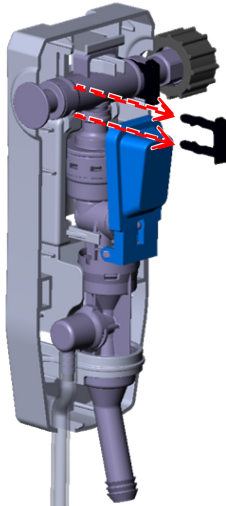
1



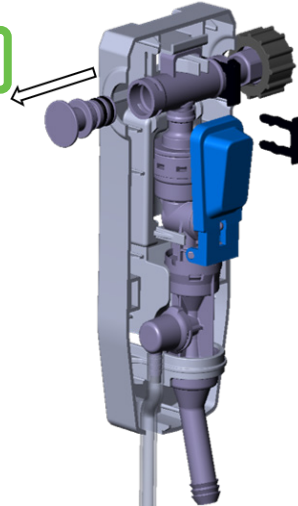
combination

1+1+

1

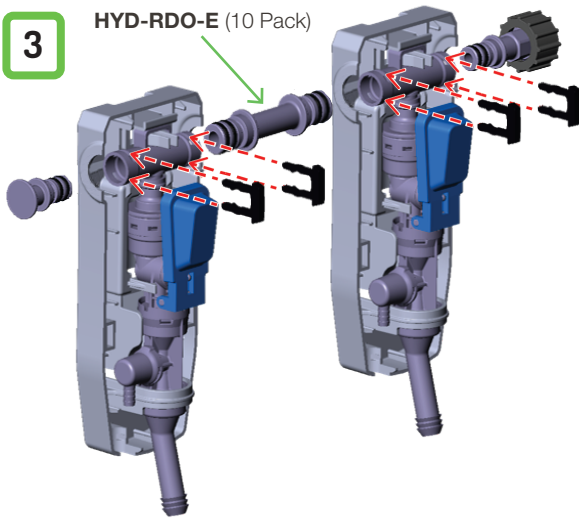


2

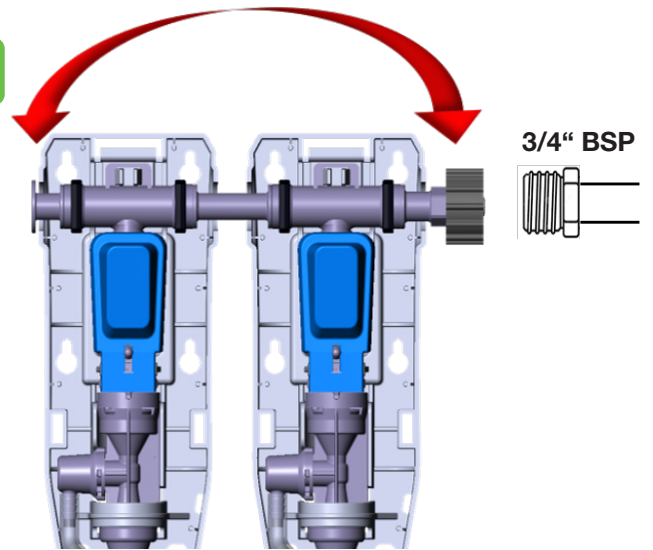


3

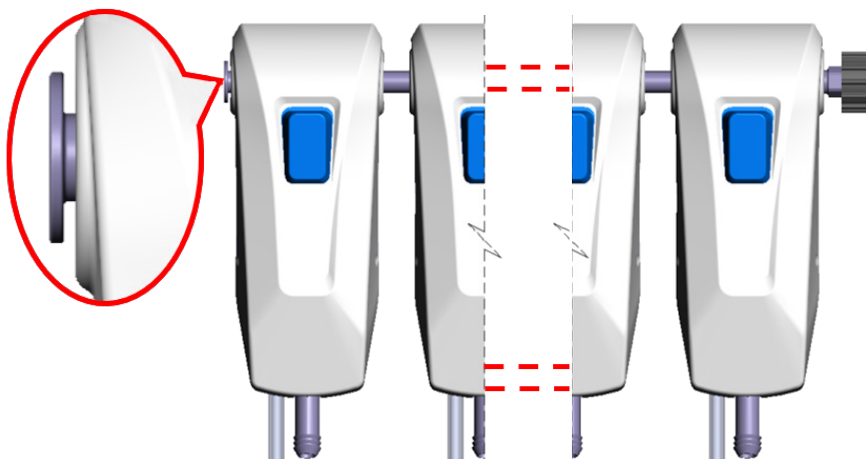
HYD-RDO-E (10 Pack)



4



✓



warranty

Limited Warranty

Seller warrants solely to **Buyer** the Products will be free from defects in material and workmanship under normal use and service for a period of one year from the date of completion of manufacture. This limited warranty does not apply to (a) hoses; (b) and products that have a normal life shorter than one year; or (c) failure in performance or damage caused by chemicals, abrasive materials, corrosion, lightning, improper voltage supply, physical abuse, mishandling or misapplication. In the event the Products are altered or repaired by **Buyer** without **Seller's** prior written approval, all warranties will be void.

No other warranty, oral, express or implied, including any warranty of merchantability or fitness for any particular purpose, is made for these products, and all other warranties are hereby expressly excluded.

Seller's sole obligation under this warranty will be, at **Seller's** option, to repair or replace F.O.B. **Seller's** facility in Cincinnati, Ohio any Products found to be other than as warranted.

Limitation of Liability

Seller's warranty obligations and **Buyer's** remedies are solely and exclusively as stated herein. **Seller** shall have no other liability, direct or indirect, of any kind, including liability for special, incidental, or consequential damages or for any other claims for damage or loss resulting from any cause whatsoever, whether based on negligence, strict liability, breach of contract or breach of warranty.



Hydro Systems
3798 Round Bottom Road
Cincinnati, OH 45244

Phone 513.271.8800
Toll Free 800.543.7184
Fax 513.271.0160
Web hydrosystemsco.com